

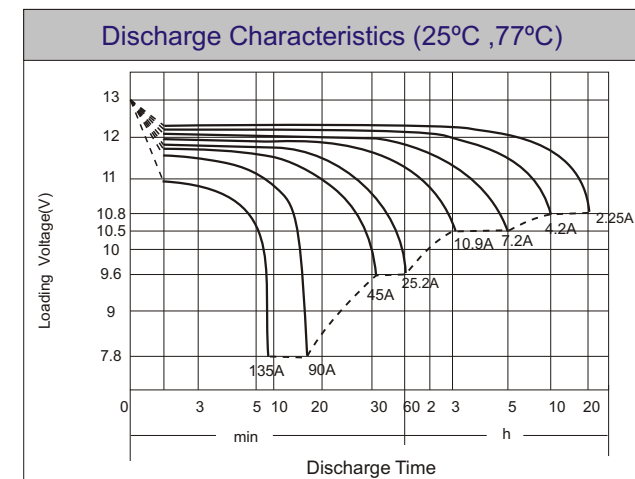
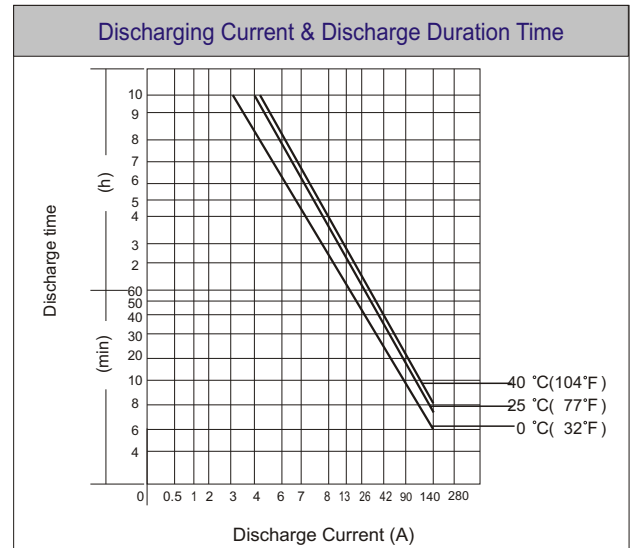
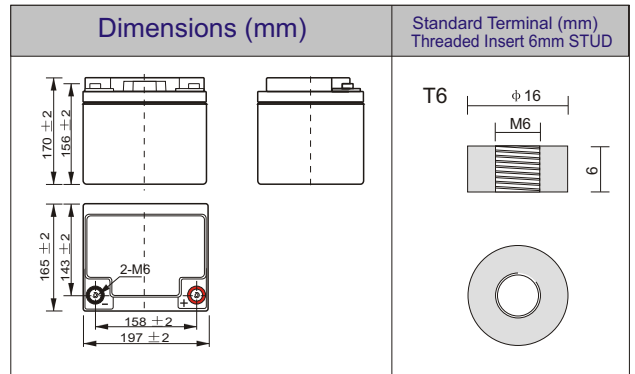


POWER-GUARD SERIES®



PG12V45

VRLA Sealed Long Life Battery



Physical Specification		
Nominal Voltage	12V	
Nominal Capacity (20HR)	45AH	
Dimension	Length	197 ± 2mm (7.76 inches)
	Width	165 ± 2mm (6.50 inches)
	Container Height	170 ± 2mm (6.69 inches)
	Total Height (with Terminal)	170 ± 2mm (6.69 inches)
Weight	Approx 15.4kg (34.0lbs)	
Standard Terminal	T6 Threaded Insert 6mm STUD	

Electrical Specification					
Rated Capacity	10 hour rate (4.20 A)	42.0AH	Constant-Voltage	Cycle	Initial Charging Current less than 12.6A. Voltage 14.4V~ 15.0V at 25°C (77°F) Temp. Coefficient -30mV/C
	5 hour rate (7.20 A)	36.0AH			
	3 hour rate (10.9 A)	32.7AH			
	1 hour rate (25.2 A)	25.2AH			
Capacity Affected by Temperature	40°C (104°F)	103%	Charge	Standby	No limit on Initial Charging Current Voltage 13.5V~13.8V at 25°C(77°F) Temp. Coefficient - 20mV/C
	25°C (77°F)	100%			
	0°C (32°F)	86%			

Constant Current (Amp) and Constant Power (Watt) Discharge Table (25°C, 77°F)															
Amp/Watt/Cell	Time(minute)	10	15	20	30	45	60	120	180	240	300	360	480	600	1200
	Final voltage	1.3	1.3	1.3	1.6	1.6	1.67	1.7	1.75	1.75	1.75	1.75	1.8	1.8	1.8
Amps		105.0	79.8	63.0	48.3	33.6	25.2	14.7	10.9	8.4	7.2	6.4	5.0	4.2	2.25
W/Cell		197.4	151.2	123.5	91.1	66.8	49.9	29.2	21.8	16.8	14.4	12.8	10.0	8.4	4.5